

Approved

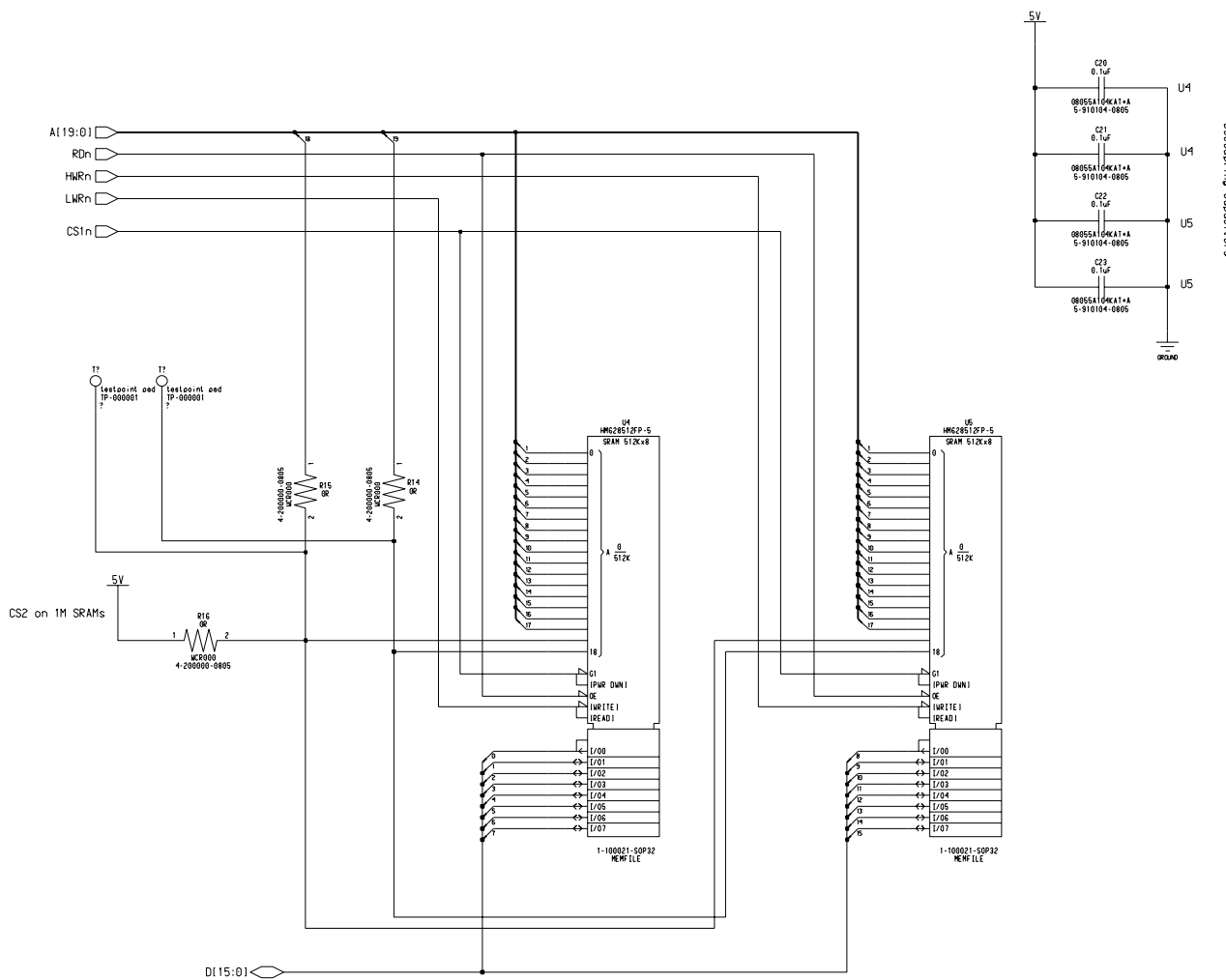
HITACHI MICRO SYSTEMS EUROPE LTD.				TITLE: MCU	Function: EVB 2633 - Headers	Drawn by: jditk Drawing Number: D001228_04	REV: 1.0	Date changed: Wednesday, May 26, 1999	Size: A3	Page: 3 of 7					
1	2	3	4	5	6	7	8	9	10	11	12	13	14	15	16

Resistor Fitting

Address Mapping

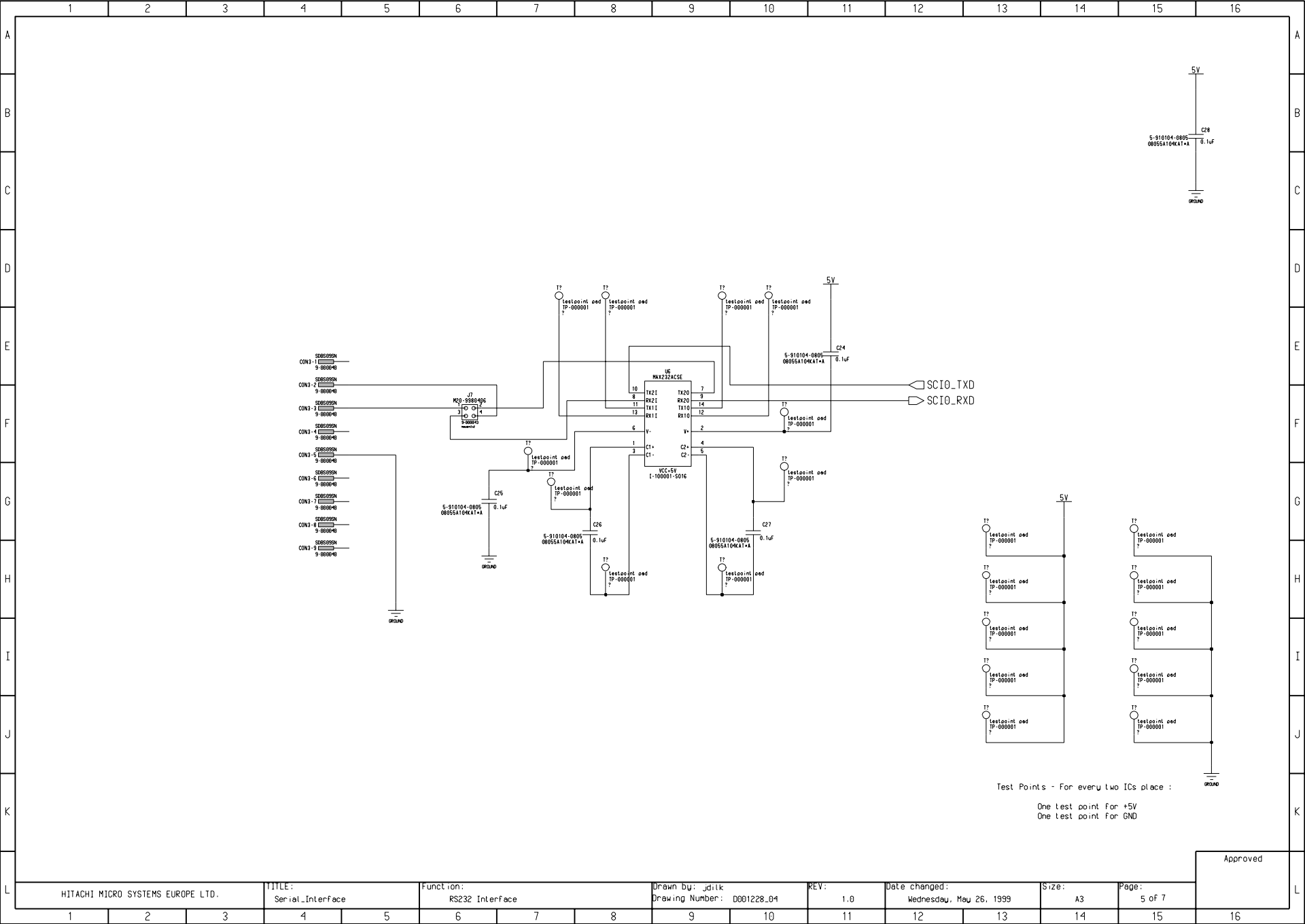
Mode Memory Size

Mode	Memory Size	Address Mapping	R6	R7	R8
4	1M	H'20 0000 - H'23 FFFF	Not Filled	Not Filled	Filled
	4M	H'20 0000 - H'2F FFFF	Filled	Filled	Not Filled
6	1M	H'20 0000 - H'23 FFFF	Not Filled	Not Filled	Filled
	4M	H'20 0000 - H'2F FFFF	Filled	Filled	Not Filled
7	1M	External Memory not accessible	---	---	---
	4M	External Memory not accessible	---	---	---



Decoupling Capacitors

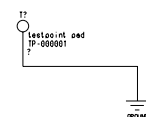
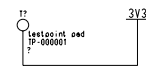
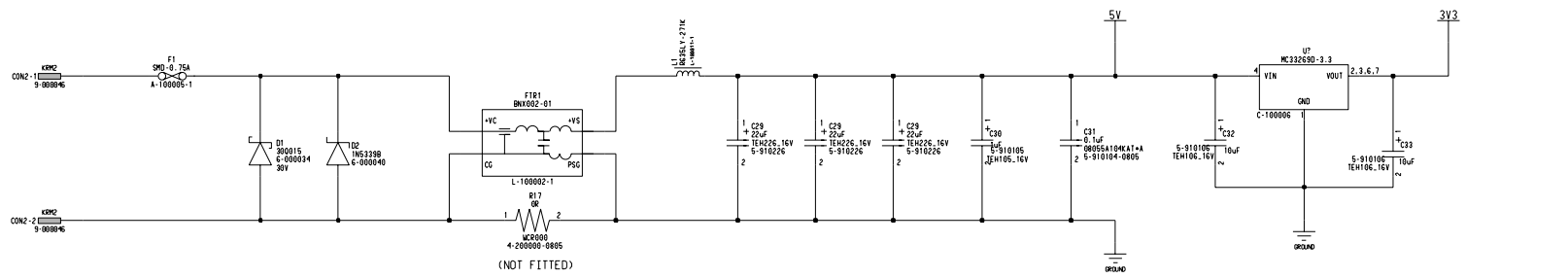
Approved



Test Points - For every two ICs place :
 One test point for +5V
 One test point for GND

Approved

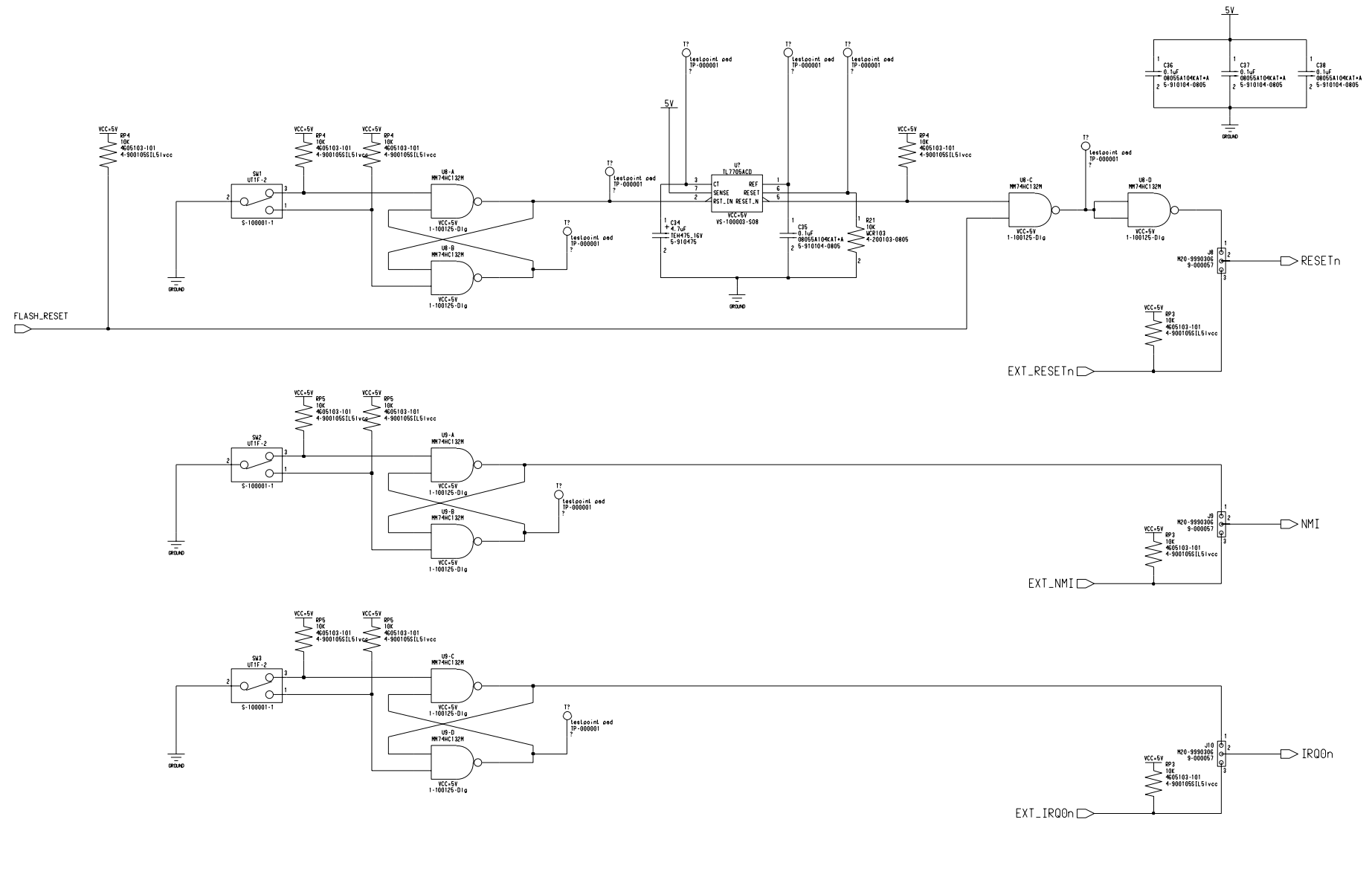
HITACHI MICRO SYSTEMS EUROPE LTD.			TITLE: Serial Interface	Function: RS232 Interface	Drawn by: jditk Drawing Number: D001228_04	REV: 1.0	Date changed: Wednesday, May 26, 1999	Size: A3	Page: 5 of 7
-----------------------------------	--	--	----------------------------	------------------------------	---	----------	--	----------	--------------



Test points - For every tow ICs place :
 One test point for +3V3
 One test point for GND
 (test points for U1(3V3) and U7)

Approved

HITACHI MICRO SYSTEMS EUROPE LTD.			TITLE: PSU			Function: Power Circuit			Drawn by: jditk Drawing Number: D001228_04			REV: 1.0		Date changed: Wednesday, May 26, 1999		Size: A3		Page: 6 of 7	
1	2	3	4	5	6	7	8	9	10	11	12	13	14	15	16				



Approved

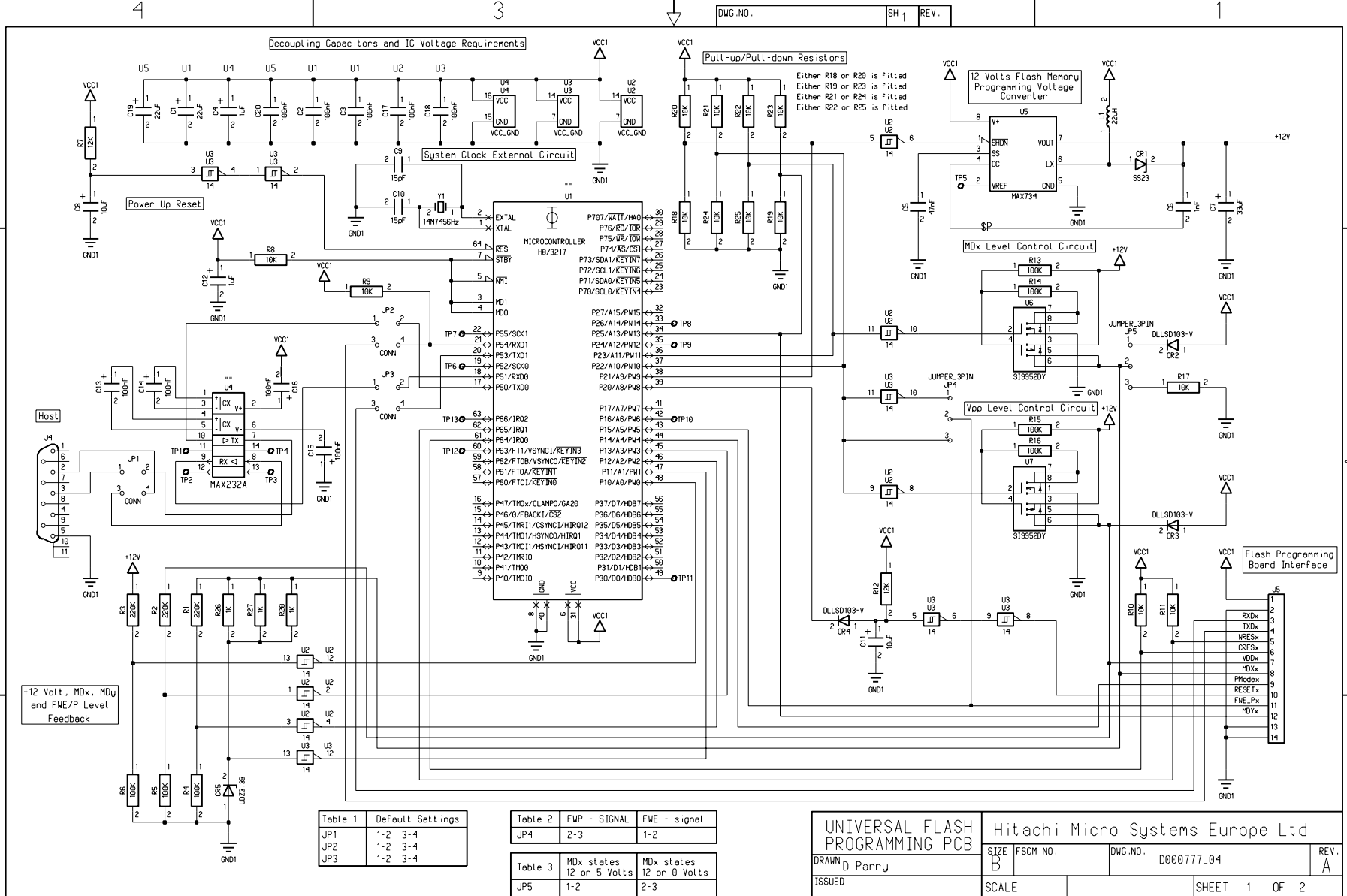


Table 1	Default Settings
JP1	1-2 3-4
JP2	1-2 3-4
JP3	1-2 3-4

Table 2	FWP - SIGNAL	FWE - signal
JP4	2-3	1-2

Table 3	MDx states 12 or 5 Volts	MDx states 12 or 0 Volts
JP5	1-2	2-3

UNIVERSAL FLASH PROGRAMMING PCB		Hitachi Micro Systems Europe Ltd	
DRAWN D Parry	SIZE B	FSCM NO.	DWG. NO. D000777_04
ISSUED	SCALE		REV. A
			SHEET 1 OF 2

THIS SHEET IS COMPUTER GENERATED